



DA62 MPP



precision from above

FACTS AND SPECIFICATIONS

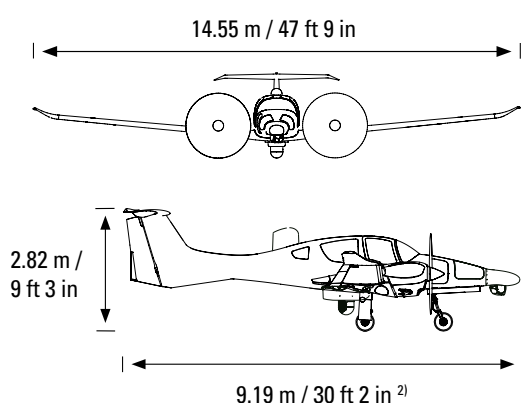
DA62 MPP facts and specifications

Power plant

Engine	2x Austro Engine AE 330 turbocharged common-rail injected 2.0 liter jet fuel engine with 180 HP and EECU single lever control system
Propeller	2x MT propeller MTV-6-R-C-F/CF 194-80 3-blade constant speed propeller
Fuel grades	Jet A-1, Jet A, TS-1 (Russia, Ukraine), RT (Russia, Ukraine), No. 3 Jet Fuel (China), JP-8

Performance (MTOM, ISA)

Max. speed (14,000 ft, MCP)	352 km/h TAS	190 kts TAS
Min. operation speed	140 km/h IAS	76 kts IAS
Consumption at 35% power (loiter speed) in total	28 lt/hr	7.4 USGal/hr
Max. airborne operations time	11.7 hours	11.7 hours
Typical airborne operations time	6 - 8 hours	6 - 8 hours
Max. range at 50% power in 14,000 ft (standard tank / auxiliary)	1356 km / 2,341 km	732 nm / 1,264 nm
Takeoff performance (MSL, ground roll / take-off distance)	480 m / 883 m	1,574 ft / 2,897 ft
Landing performance (MSL, ground roll / landing distance)	441 m / 779 m	1,447 ft / 2,556 ft
Max. service ceiling	6,096 m	20,000 ft



Dimensions / mass / loading

Crew	1 or 2 pilots	1 or 2 operators
Typical mission crew	2 pilots	2 operators
Empty weight ¹⁾	1,590 kg	3,505 lbs
Useful load	710 kg	1,565 lbs
Max. take-off mass	2,300 kg	5,071 lbs
Max. usable fuel capacity	326 lt / 261 kg	86 US gal / 576 lbs
main tank	189 lt / 151 kg	50 US gal / 335 lbs
auxiliary tank	137 lt / 110 kg	36 US gal / 241 lbs

¹⁾This value can deviate by 0.5%

²⁾Measurements can differ depending on the specific sensor equipment.

Diamond Aircraft Industries GmbH, Phone: +43 2622 26700 1317, sales@diamond-air.at, www.diamond-air.at

Specifications are based on clean aircraft without sensor or mission equipment. Specifications can differ depending on the specific sensor equipment.

The above quoted data are approximately specifications and may change without notice.