



DA20i KATANA



fly like an eagle

FACTS AND SPECIFICATIONS

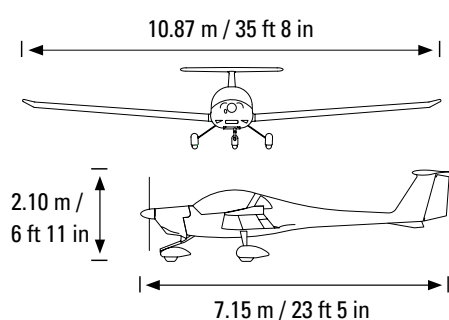
DA20i Katana facts and specifications

Power plant

Engine	(BRP-Powertrain) Rotax 912 iSc3 Sport with 100 HP
Propeller	MT propeller MTV-21-A/175-05, 2-blade constant speed propeller
Fuel grades	Avgas 100LL, Mogas, Super EN 228

Performance (MTOM, ISA)

Max. cruise speed	226 km/h TAS	122 kts TAS
Max. cruise at a typical configuration *	237 km/h TAS	128 kts TAS
Stall speed, landing configuration	83 km/h CAS	45 kts CAS
Rate of climb (MSL)	3.4 m/s	667 ft/min
Range at 55% (8,000 ft)	1,302 km	703 nm
Fuel Consumption at 55% (8,000 ft)	11.1 lt/hr	2.9 US gal/hr
Take-off ground roll / Take off distance (MSL, 50 ft)	254 m / 500 m	833 ft / 1,640 ft
Landing ground roll / Landing distance (MSL, 50 ft)	204 m / 507 m	669 ft / 1,663 ft
Max. operating altitude	4,000 m	13,100 ft
Max. demonstrated crosswind	37 km/h	20 kts



Dimensions / mass / loading

Seats	2	2
Empty weight	525 kg	1,158 lbs
Useful load	275 kg	606 lbs
Max. take off mass	800 kg	1,764 lbs
Useable fuel	84 lt / 67.2 kg	22.2 US gal / 148.7 lbs

*) Short trip loading, well serviced aircraft condition

Diamond Aircraft Industries GmbH, Phone: +43 2622 26700, www.diamondaircraft.com

Specifications apply to standard equipped aircraft, if not otherwise stated. The above data are approximately specifications and may change without notice.

09/2019 S_30640E © 2019 Diamond Aircraft Industries GmbH